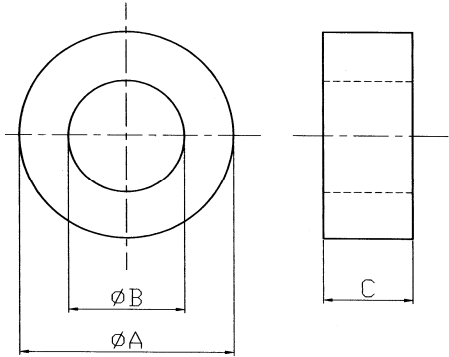


H cores



CORE SETS

CORE DIMENSIONS (mm)

Spray paint	Dimensions (mm)		
	$\phi A$	$\phi B$	C
Uncoat	$12.0 \pm 0.3$	$6.0 \pm 0.3$	$4.0 \pm 0.3$
Coat	12.8max	5.2min	4.8max

Effective core parameters

SYMBOL	PARAMETER	VALUE	UNIT
Ve	effective volume	301.00	mm <sup>3</sup>
le	effective length	26.10	mm
Ae	effective area	11.50	mm <sup>2</sup>
Wt	mass of core set	≈1.8	g

Characteristic

Grade	AL (nH/N <sup>2</sup> )	Z1 (Ω)	Z2 (Ω)
		f=100kHz U=0.25V N=10Ts, $\Phi 0.35$ mm	f=25MHz N=16Ts $\Phi 0.5$ mm T=25±2°C
DN85H	$420 \pm 25\%$	980 min	1500 min