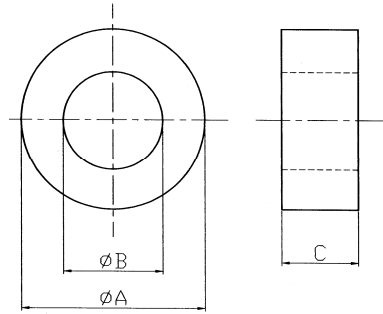


H cores



CORE SETS

CORE DIMENSIONS (mm)

Spray paint	Dimensions (mm)		
	ϕA	ϕB	C
Uncoat	5.0 ± 0.3	3.0 ± 0.3	6.0 ± 0.3
Coat	5.8max	2.2min	6.8max

Effective core parameters

SYMBOL	PARAMETER	VALUE	UNIT
Ve	effective volume	70.60	mm ³
le	effective length	12.00	mm
Ae	effective area	5.87	mm ²
Wt	mass of core set	≈ 0.42	g

Characteristic

Grade	AL (nH/N ²)	Z1 (Ω)	Z2 (Ω)
		f=100kHz U=0.25V N=10Ts, $\Phi 0.35$ mm	f=25MHz N=1Ts $\Phi 0.5 \times 50$ mm T=25 \pm 2 $^{\circ}$ C
DN85H	$460 \pm 25\%$	22 min	36 min