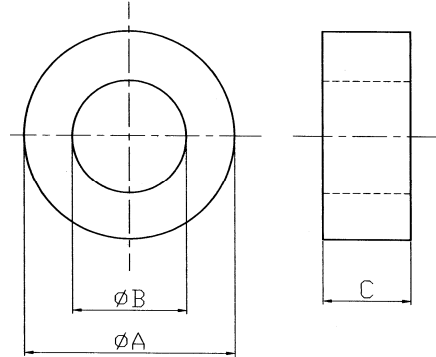


H cores



CORE SETS

CORE DIMENSIONS (mm)

Spray paint	Dimensions (mm)		
	ϕA	ϕB	C
Uncoat	16.0 ± 0.3	10.0 ± 0.3	10.0 ± 0.4
Coat	16.8max	9.2min	10.8max

Effective core parameters

SYMBOL	PARAMETER	VALUE	UNIT
Ve	effective volume	1160.0	mm ³
le	effective length	39.4	mm
Ae	effective area	29.5	mm ²
Wt	mass of core set	≈6.4	g

Characteristic

Grade	AL (nH/N ²)	Z1 (Ω)	Z2 (Ω)
		f=100kHz U=0.25V N=10Ts, $\Phi 0.35$ mm	f=25MHz N=1Ts $\Phi 0.5*100$ mm T=25±2°C
D150H	1400±25%	30 min	55 min
DN85H	750±25%	25 min	60 min