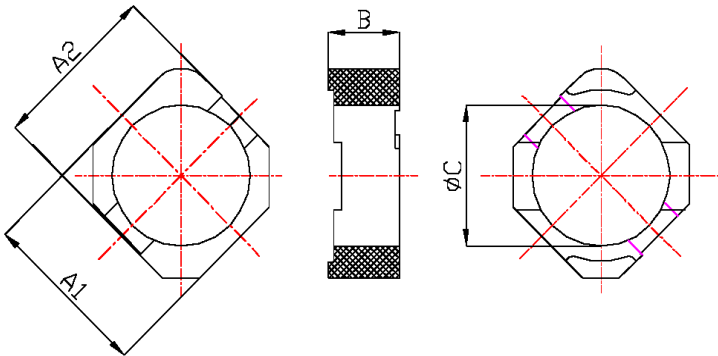


CORE SETS

CORE DIMENSIONS (mm)

Dimensions (mm)							Weight (g)
Φ A1	Φ A2	B	Φ C	D	E	F	
9.8±0.1	7.6±0.1	4.65±0.1	4.9±0.1	0.85±0.1	2.95±0.15	0.85±0.1	0.82



Dimensions (mm)				Weight (g)
A1	A2	B	Φ C	
10.0±0.2	10.0±0.2	4.25±0.2	8.2±0.15	0.66

Characteristic

Grade	L (μH)	L <sub>1.0A</sub> (μH)
	f=100kHz U=1.0V N=20Ts, Φ 0.35 mm	f=100kHz U=1.0V N=20Ts, Φ 0.35 mm
DN40B	46.5 ± 20%	≥ 70% X L <sub>0A</sub>