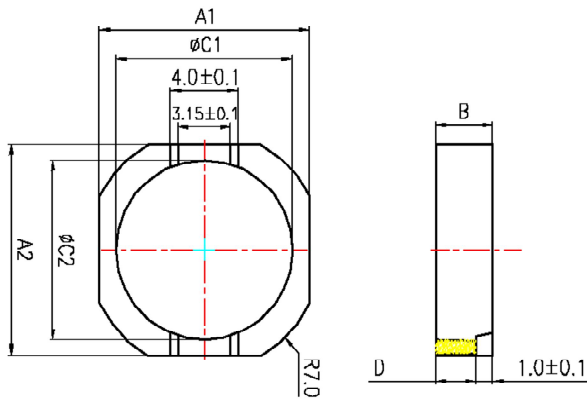


CORE SETS

CORE DIMENSIONS (mm)

Dimensions (mm)						Weight (g)
ΦA	B	ΦC	D	E	F	
10.0 <sup>+0</sup> <sub>-0.15</sub>	3.55±0.15	5.1±0.1	0.85±0.1	1.85±0.1	0.85±0.1	1.78



Dimensions (mm)						Weight (g)
A1	A2	B	ΦC1	ΦC2	D	
12.5±0.2	12.0±0.2	3.4±0.2	10.5±0.2	10.5±0.2	2.4±0.15	1.12

Characteristic

Grade	L (μH)	L <sub>2.0A</sub> (μH)
	f=100kHz U=1.0V N=20Ts, Φ0.2 mm	f=100kHz U=1.0V N=20Ts, Φ0.2 mm
DN40B	41.0±20%	≥85% X L <sub>0A</sub>