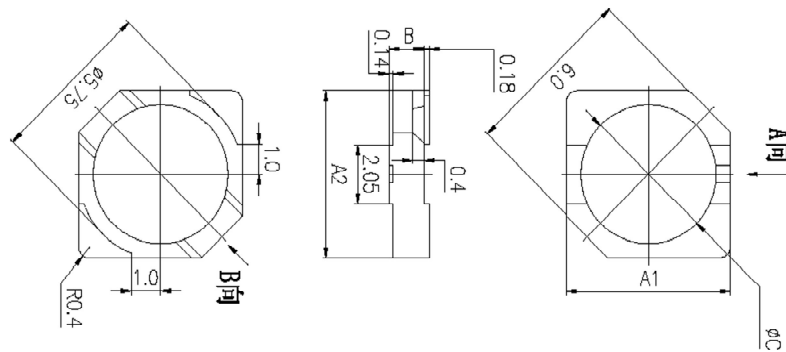


CORE SETS

CORE DIMENSIONS (mm)

Dimensions (mm)							Weight (g)
ΦA1	ΦA2	B	ΦC	D	E	F	
5.6±0.1	4.1±0.1	2.7±0.1	2.0±0.1	0.45±0.1	1.8±0.1	0.45±0.1	0.12



Dimensions (mm)				Weight (g)
A1	A 2	B	ΦC	
5.7±0.2	5.7±0.2	2.4±0.15	4.9±0.15	0.08

Characteristic

Grade	L (μH)	L <sub>0.6A</sub> (μH)
	f=100kHz U=1.0V N=20Ts, Φ0.2 mm	f=100kHz U=1.0V N=20Ts, Φ0.2 mm
DN35H	14.8±20%	≥70% X L <sub>0A</sub>