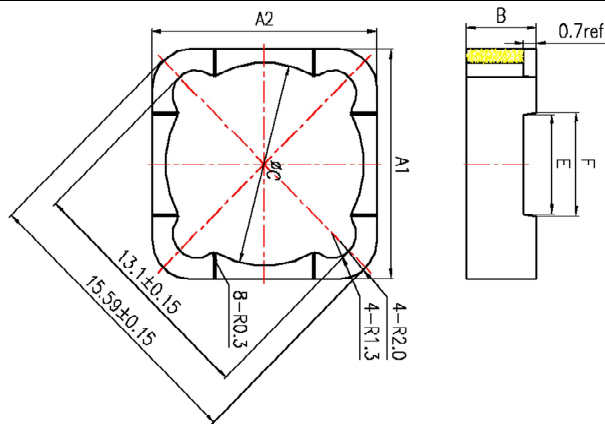


CORE SETS

CORE DIMENSIONS (mm)

Dimensions (mm)						Weight (g)
ΦA	B	ΦC	D	E	F	
9.85 ± 0.1	7.1 ± 0.2	6.4 ± 0.15	1.1 ± 0.15	4.9 ± 0.15	1.1 ± 0.15	1.7



Dimensions (mm)						Weight (g)
A1	A2	B	ΦC	E	F	
12.2 ± 0.15	12.2 ± 0.15	6.8 ± 0.2	10.8 ± 0.15	5.3 ± 0.15	5.5 ± 0.15	2.03

Characteristic

Grade	L (μH)	
	$f=100kHz$ U=1.0V N=20Ts, $\Phi 0.35$ mm	$L_{5.0A}$ (μH) $f=100kHz$ U=1.0V N=20Ts, $\Phi 0.35$ mm
DN35H	$25 \pm 20\%$	$\geq 70\% \times L_{0A}$