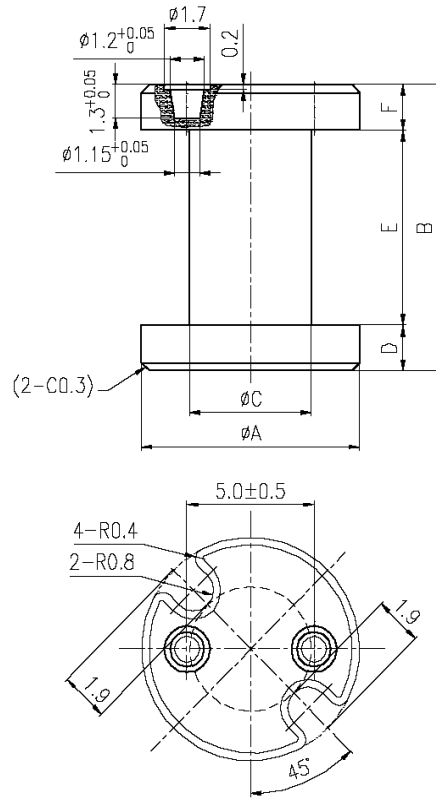


I cores



CORE SETS

CORE DIMENSIONS (mm)

Dimensions (mm)						Weight (g)
ϕA	B	ϕC	D	E	F	
8.6 ± 0.1	11.0 ± 0.2	4.8 ± 0.1	1.75 ± 0.15	7.5 ± 0.2	1.75 ± 0.1	1.76

Characteristic

Grade	$L (\mu H)$	$L_{6.0A} (\mu H)$
		$f=100kHz$ $U=1.0V$ $N=20Ts, \Phi 0.5 \text{ mm}$
DN35H	$14.5 \pm 20\%$	$\geq 90\% \times L_{0A}$