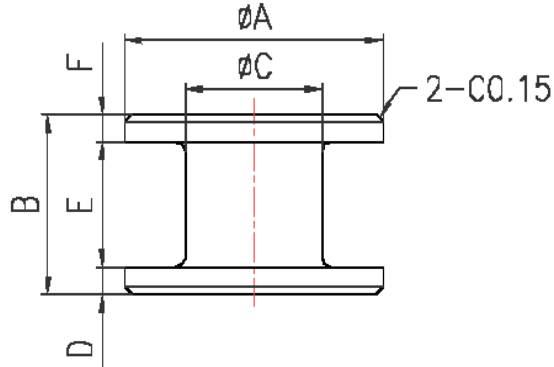


SRI cores

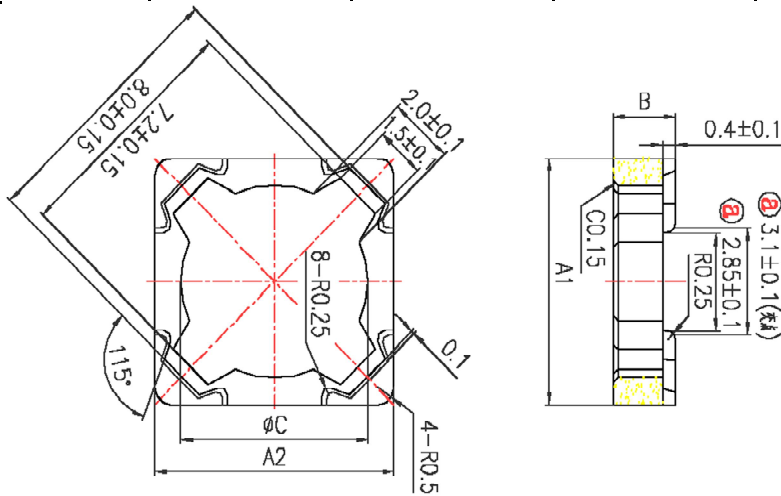
I 5.3×2.25×2
SRI 7.3×1.8×5.7



CORE SETS

CORE DIMENSIONS (mm)

Dimensions (mm)						Weight (g)
ΦA	B	ΦC	D	E	F	
5.3 ± 0.1	2.0 ± 0.07	2.25 ± 0.12	0.5 ± 0.07	1.0 ± 0.12	0.5 ± 0.07	0.14



Dimensions (mm)				Weight (g)
A1	A 2	B	ΦC	
7.3 ± 0.12	7.3 ± 0.12	1.8 ± 0.07	5.7 ± 0.12	0.26

Characteristic

Grade	L (μH)	$L_{0.5A}$ (μH)
		f=100kHz U=1.0V N=20Ts, $\Phi 0.2$ mm
DN40B	$15.5 \pm 20\%$	$\geq 80\% \times L_{0A}$