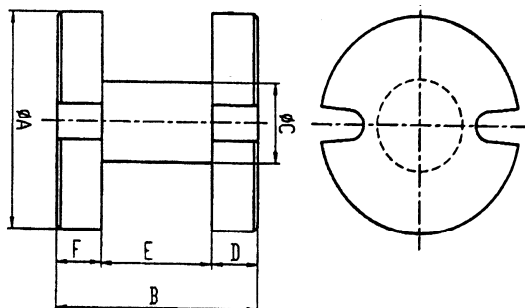


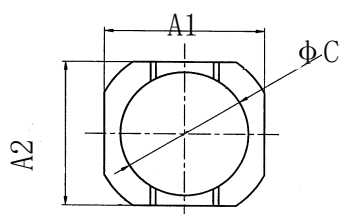
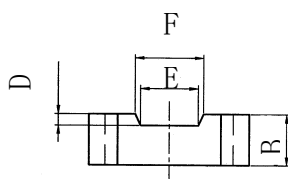
### RI cores



#### CORE SETS

#### CORE DIMENSIONS (mm)

Dimensions (mm)						Weight (g)
$\Phi A$	B	$\Phi C$	D	E	F	
$4.5^{+0.1}_{-0.15}$	$2.2 \pm 0.1$	$2.0 \pm 0.15$	$0.5 \pm 0.1$	$1.2 \pm 0.15$	$0.5 \pm 0.1$	0.1



Dimensions (mm)							Weight (g)
A1	A2	B	$\Phi C$	D	E	F	
$6.0 \pm 0.2$	$5.6 \pm 0.2$	$2.0 \pm 0.15$	$4.8 \pm 0.1$	$0.45 \pm 0.1$	$2.15 \pm 0.1$	$2.55 \pm 0.1$	0.16

#### Characteristic

Grade	$L (\mu H)$	$L_{0.7A} (\mu H)$
		$f=100kHz$ $U=1.0V$ $N=20Ts, \Phi 0.2 \text{ mm}$
DN35H	$16.5 \pm 20\%$	$\geq 85\% \times L_{0A}$