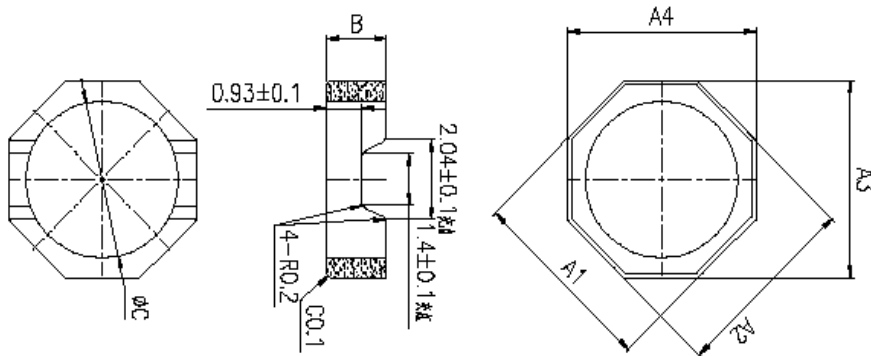


CORE SETS

CORE DIMENSIONS (mm)

Dimensions (mm)						Weight (g)
ΦA	B	ΦC	D	E	F	
3.9±0.1	1.7±0.1	1.65±0.1	0.45±0.1	0.8±0.1	0.45±0.1	0.07



Dimensions (mm)						Weight (g)
A1	A 2	A3	A 4	B	ΦC	
5.05 ^{+0.15} _{-0.1}	5.05 ^{+0.15} _{-0.1}	5.15 ^{+0.15} _{-0.1}	5.05 ^{+0.15} _{-0.1}	1.6±0.1	4.1±0.07	0.06

Characteristic

Grade	L (μH)	L _{0.7A} (μH)
		f=100kHz U=1.0V N=20Ts, Φ0.2 mm
DN35H	15.5±20%	≥70% X L _{0A}