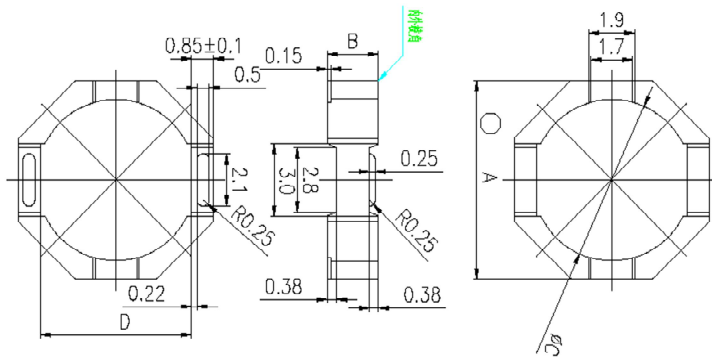


CORE SETS

CORE DIMENSIONS (mm)

Dimensions (mm)							Weight (g)
$\Phi A1$	$\Phi A2$	B	ΦC	D	E	F	
8.0 ± 0.1	5.9 ± 0.1	4.2 ± 0.1	4.0 ± 0.1	0.8 ± 0.1	2.6 ± 0.1	0.8 ± 0.1	0.5



Dimensions (mm)				Weight (g)
A	B	ΦC	D	
8.1 ± 0.15	3.4 ± 0.1	6.6 ± 0.15	6.4 ± 0.15	0.31

Characteristic

Grade	$L (\mu H)$	$L_{1.5A} (\mu H)$
		$f=100kHz$ $U=1.0V$ $N=20Ts, \Phi 0.2 \text{ mm}$
DN40B	$34.5 \pm 20\%$	$\geq 75\% \times L_{0A}$