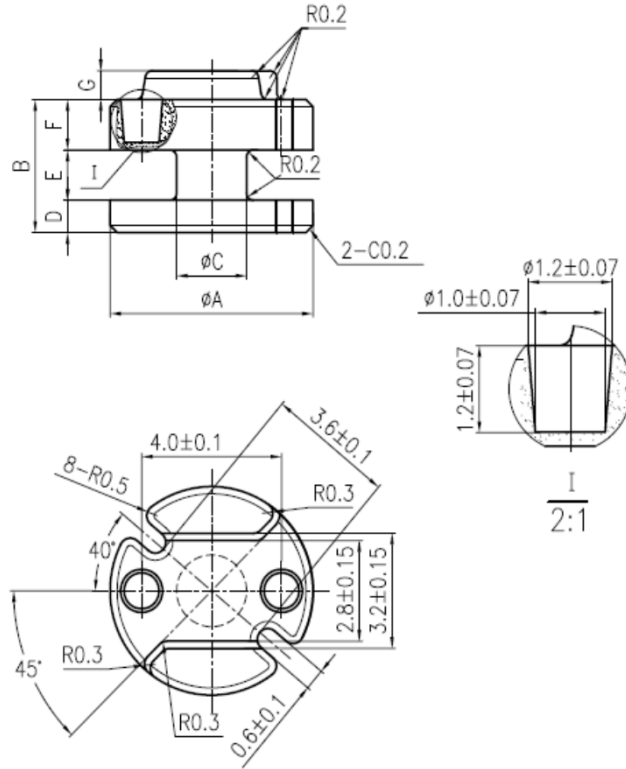


### I cores



#### CORE SETS

#### CORE DIMENSIONS (mm)

Dimensions (mm)						Weight (g)
$\phi A$	B	$\phi C$	D	E	F	
$5.8 \pm 0.1$	$3.7 \pm 0.2$	$2.0 \pm 0.1$	$0.9 \pm 0.1$	$1.4 \pm 0.15$	$1.4 \pm 0.1$	0.34

#### Characteristic

Grade	$L (\mu H)$	$L_{1.0A} (\mu H)$
		$f=100kHz$ $U=1.0V$ $N=20Ts, \Phi 0.35 \text{ mm}$
DN50B	$17.0 \pm 20\%$	$\geq 90\% \times L_{0A}$