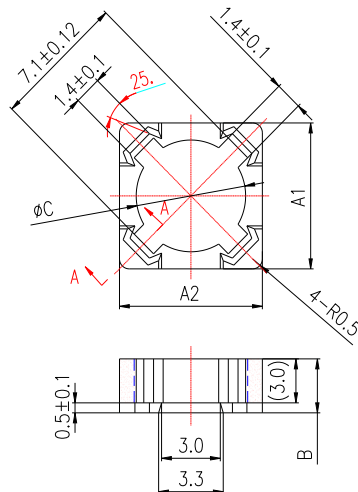


CORE SETS

CORE DIMENSIONS (mm)

Dimensions (mm)						Weight (g)
ΦA	B	ΦC	D	E	F	
5.3±0.1	2.8±0.15	2.55±0.12	0.67±0.07	1.46±0.15	0.67±0.07	0.2



Dimensions (mm)				Weight (g)
A1	A 2	B	ΦC	
7.3±0.15	7.3±0.15	2.7±0.15	5.6±0.12	0.15

Characteristic

Grade	L (μH)	L _{1.0A} (μH)
		f=100kHz U=1.0V N=20Ts, Φ0.2 mm
DN35H	19.5±20%	≥80% X L _{0A}