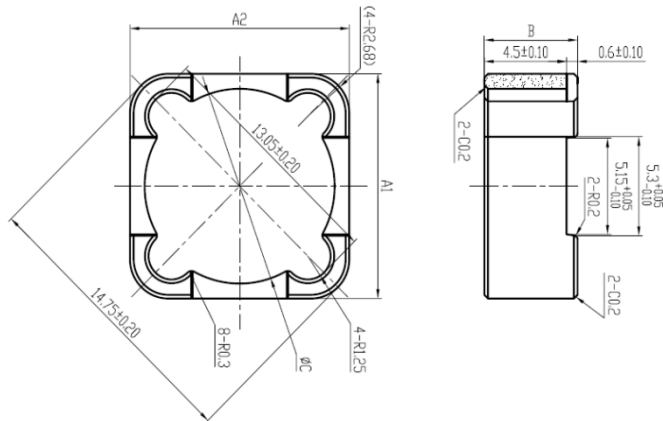


CORE SETS

CORE DIMENSIONS (mm)

Dimensions (mm)						Weight (g)
ΦA	B	ΦC	D	E	F	
10±0.1	5.3±0.1	5.2±0.1	1.15±0.1	2.9±0.1	1.15±0.1	1.26



Dimensions (mm)				Weight (g)
A1	A2	B	ΦC	
12.0±0.2	12.0±0.2	5.1±0.15	10.4 <sup>+0.3</sup> <sub>-0</sub>	1.57

Characteristic

Grade	L (μH)	L <sub>1.5A</sub> (μH)
		f=100kHz U=1.0V N=20Ts, Φ0.35 mm
DN80L	44.0±20%	≥70% X L <sub>0A</sub>