



技术参数

Technical parameter

DM-LM1040F-3

1、电气性能 Electrical Characteristics

序号 NO.	项目 Items	规格 Specification
5-1	额定电压/ Rated Voltage	2.5 Vrms
5-2	工作电压/ Operating Voltage Range	0.1~2.55 Vrms
5-3	电阻/ Resistance	12 ± 2 Ohm
5-4	额定电流/ Rated Current	Max.200 mArms
5-5	额定频率/ Rated Frequency	170Hz
5-6	F0 点振动量/ Acceleration@F0	Min. 1.7 Grms
5-7	频率特性/ Frequency Characteristics	170 ± 10 Hz Refer to Figure 1
5-8	上升时间/ Rising time	15ms Max from 0 to 50% normal acceleration
5-9	下降时间/ Falling time	25ms Max from 100% to 50% normal acceleration
5-10	噪音/ Noise	Max. 50 dB(A) (10cm distance from decibel meter Input Source : 170Hz, 2.5Vrms AC, Sinewave)
5-11	绝缘电阻/Insulation Resistance	Min. 10M ohm (100V DC input, between Case and Lead wire)

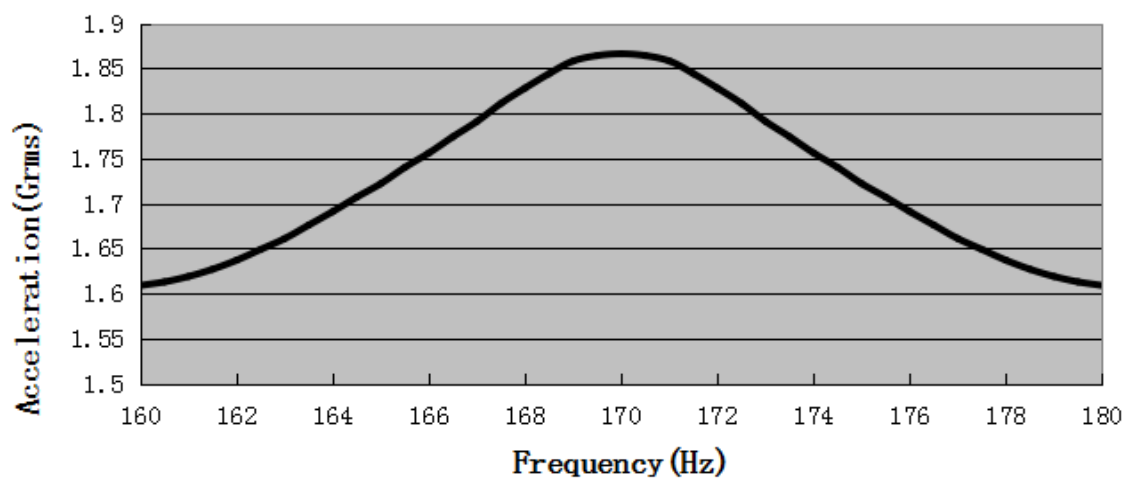
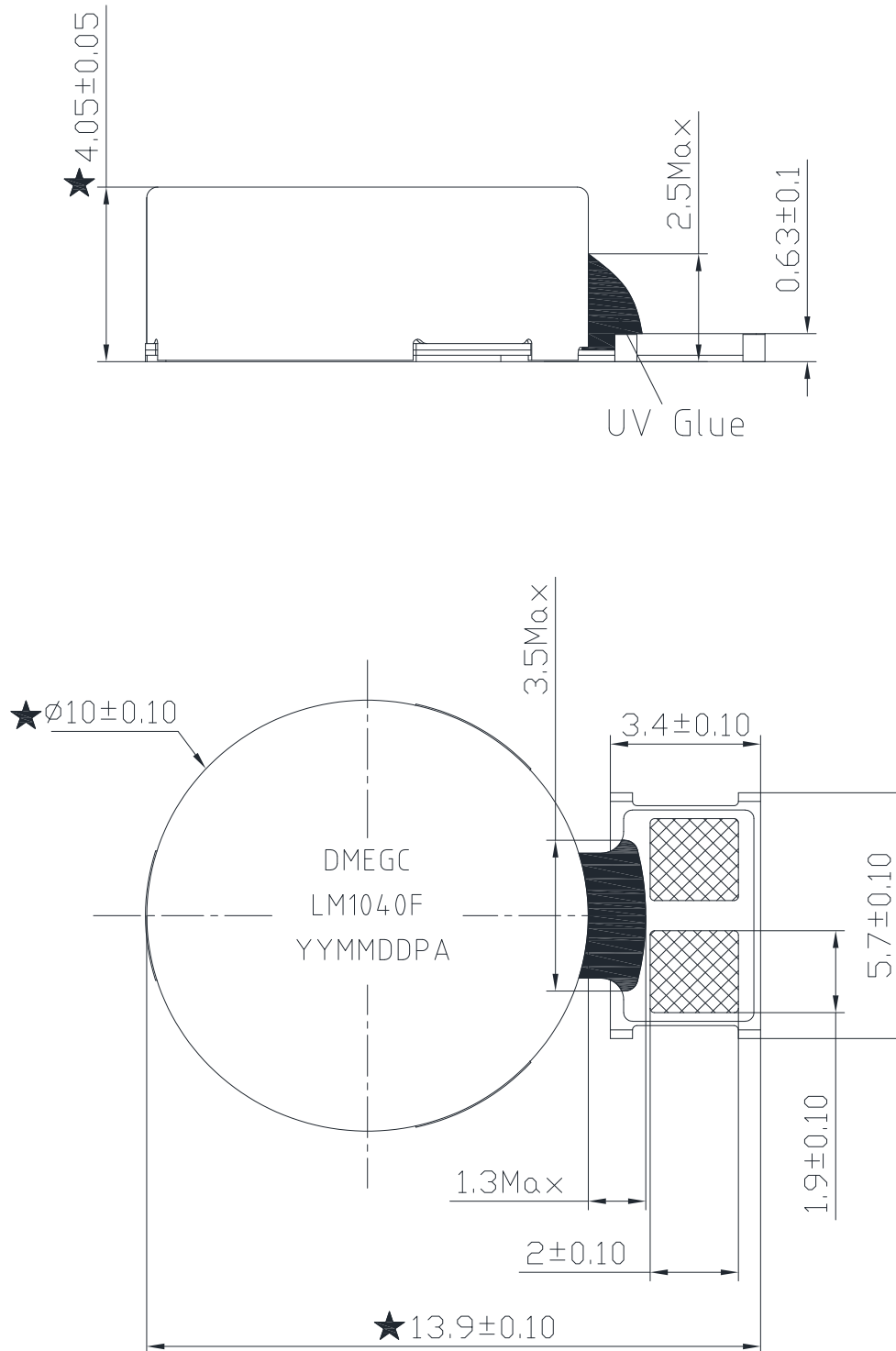


Figure 1. Frequency Response

2、产品外形图 Product Outline Drawing



Coding rules:

DMEGC: Manufacturer code LM1040F: Motor model

YYMMDDPA: Production line batches