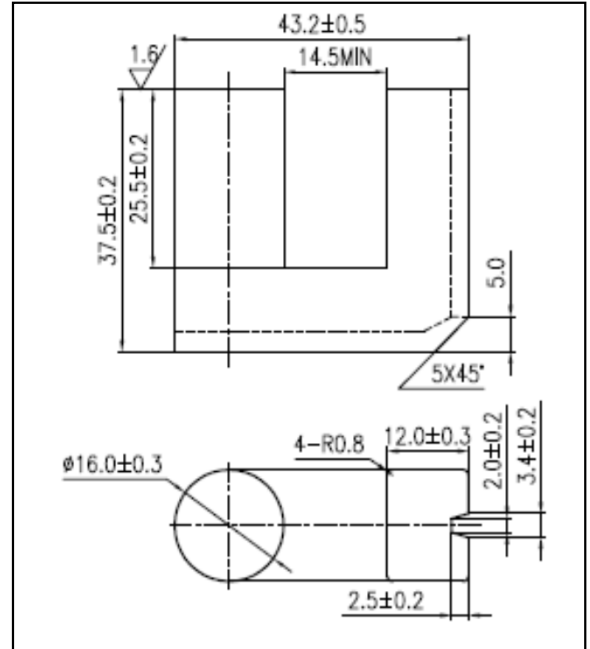


CORE SETS

Effective core parameters

SYMBOL	PARAMETER	VALUE	UNIT
$\Sigma (1/A)$	core factor (C_1)	0.92	mm^{-1}
V_e	effective volume	32697.00	mm^3
l_e	effective length	173.00	mm
A_e	effective area	189.00	mm^2
W_t	mass of core set	≈ 172.6	g



Characteristic

GRADE	AL (nH/N ²)	B (mT)	CORE LOSS (W)
	f=10kHz U=0.25V	H=250A/m f=25kHz T=100°C	f=100kHz B=200mT T=100°C
DMR40	2800 ± 25%	≥ 320	≤ 20.7