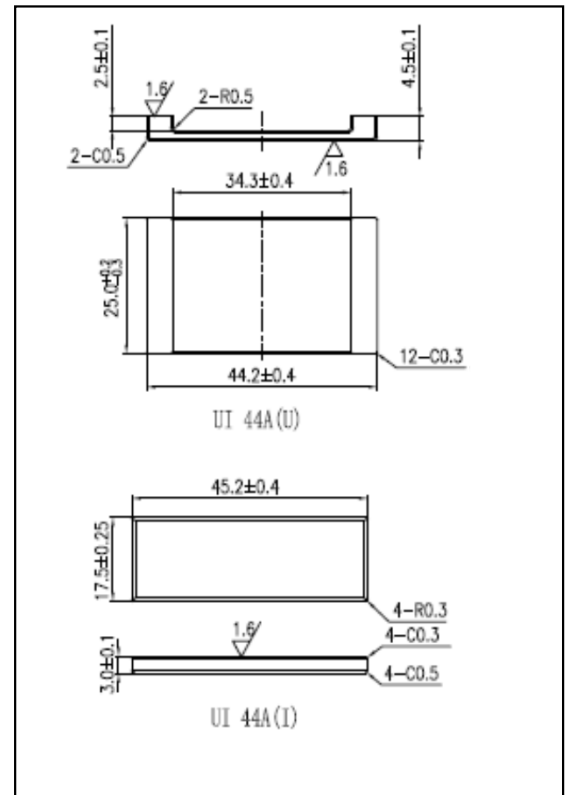


CORE SETS

Effective core parameters

SYMBOL	PARAMETER	VALUE	UNIT
$\Sigma (1/A)$	core factor ( $C_1$ )	1.50	$\text{mm}^{-1}$
$V_e$	effective volume	4371.29	$\text{mm}^3$
$l_e$	effective length	81.10	mm
$A_e$	effective area	53.90	$\text{mm}^2$
$A_{\min}$	minimum area	52.50	$\text{mm}^2$
$W_t$	mass of core set	$\approx 25.0$	g



Characteristic

GRADE	AL ( $\text{nH/N}^2$ )	B (mT)	CORE LOSS (W)
	$f=10\text{kHz}$ $U=0.25\text{V}$	$H=250\text{A/m}$ $f=25\text{kHz}$ $T=100^\circ\text{C}$	$f=100\text{kHz}$ $B=200\text{mT}$ $T=100^\circ\text{C}$
DMR40	$1700 \pm 25\%$	$\geq 315$	$\leq 3.25$
DMR44	$1700 \pm 25\%$	$\geq 315$	$\leq 2.75$