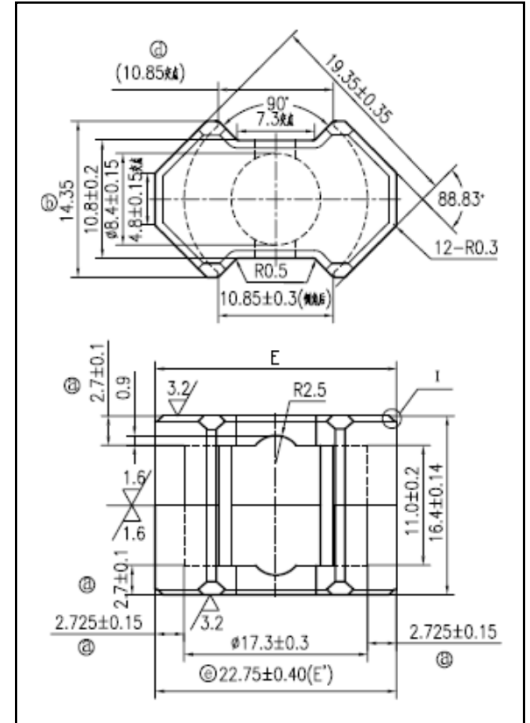


CORE SETS

Effective core parameters

SYMBOL	PARAMETER	VALUE	UNIT
$\Sigma (1/A)$	core factor (C_1)	0.62	mm^{-1}
Ve	effective volume	2382.26	mm^3
le	effective length	38.30	mm
Ae	effective area	62.20	mm^2
Amin	minimum area	55.42	mm^2
Wt	mass of core set	≈ 12.8	g



Characteristic

GRADE	AL (nH/N^2)	B (mT)	CORE LOSS (W)
	f=10kHz U=0.25V	H=250A/m f=25kHz T=100°C	f=100kHz B=200mT T=100°C
DMR40	$3000 \pm 25\%$	≥ 315	≤ 1.80
DMR44	$3000 \pm 25\%$	≥ 315	≤ 1.54
DMR95	$4000 \pm 25\%$	≥ 315	≤ 1.35