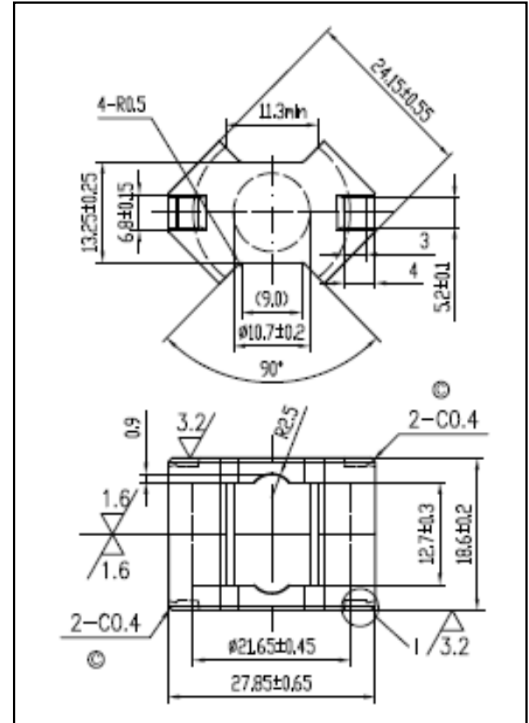


CORE SETS

Effective core parameters

SYMBOL	PARAMETER	VALUE	UNIT
$\Sigma (1/A)$	core factor (C_1)	0.45	mm^{-1}
V_e	effective volume	4312.0	mm^3
l_e	effective length	44.0	mm
A_e	effective area	98.0	mm^2
A_{\min}	minimum area	89.1	mm^2
W_t	mass of core set	≈ 23	g



Characteristic

GRADE	AL (nH/N ²)	B (mT)	CORE LOSS (W)
	f=10kHz U=0.25V	H=250A/m f=25kHz T=100°C	f=100kHz B=200mT T=100°C
DMR40	4500 ± 25%	≥ 315	≤ 3.22
DMR44	4500 ± 25%	≥ 315	≤ 2.76
DMR47	4600 ± 25%	≥ 325	≤ 2.41
DMR95	5200 ± 25%	≥ 315	≤ 2.41