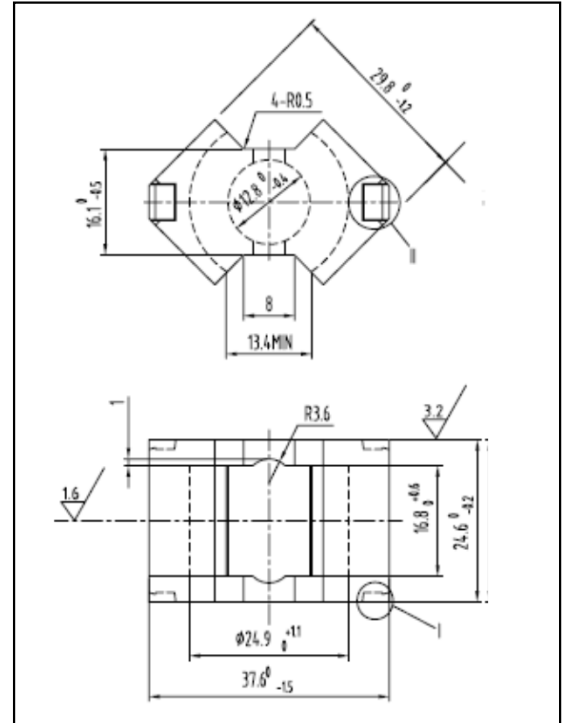


CORE SETS

Effective core parameters

SYMBOL	PARAMETER	VALUE	UNIT
$\Sigma (1/A)$	core factor (C_1)	0.39	mm^{-1}
V_e	effective volume	8322.0	mm^3
l_e	effective length	57.0	mm
A_e	effective area	146.0	mm^2
A_{\min}	minimum area	125.0	mm^2
W_t	mass of core set	≈ 47.7	g



Characteristic

GRADE	$AL (\text{nH}/\text{N}^2)$	μi
		$f=10\text{kHz}$ $U=0.25\text{V}$
R7K	≥ 7500	≈ 7000