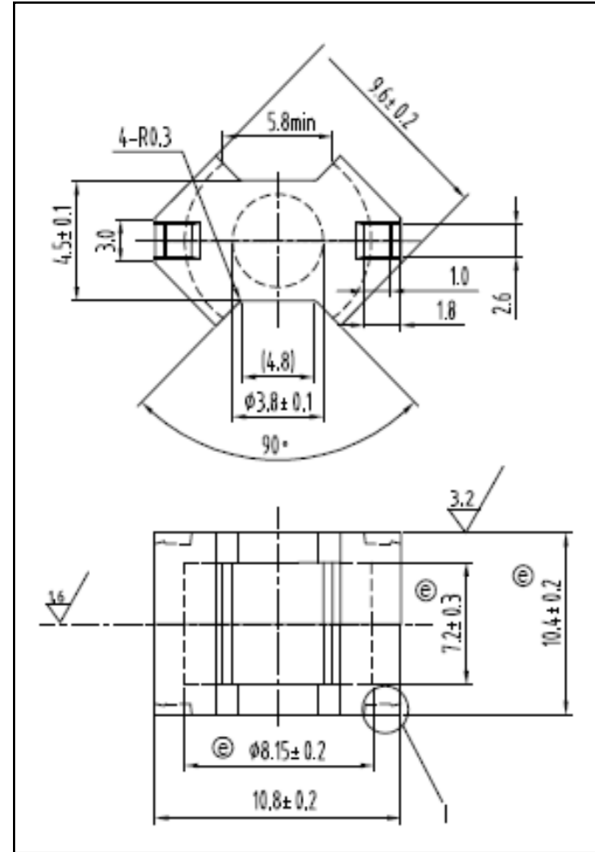


CORE SETS

Effective core parameters

SYMBOL	PARAMETER	VALUE	UNIT
$\Sigma (1/A)$	core factor ( $C_1$ )	1.70	$\text{mm}^{-1}$
$V_e$	effective volume	286.00	$\text{mm}^3$
$l_e$	effective length	22.00	mm
$A_e$	effective area	13.00	$\text{mm}^2$
$A_{\text{min}}$	minimum area	11.50	$\text{mm}^2$
$W_t$	mass of core set	$\approx 1.7$	g



Characteristic

GRADE	$AL (\text{nH}/\text{N}^2)$	$\mu_i$
	$f=10\text{kHz}$ $U=0.25\text{V}$	$f=10\text{kHz}$ $U=0.25\text{V}$
R7K	$2950 \pm 25\%$	$\approx 7000$
R10K	$3900 \pm 30\%$	$\approx 10000$
R12K	$\geq 3300$ mirror	$\approx 12000$
R15K	$\geq 4000$ mirror	$\approx 15000$