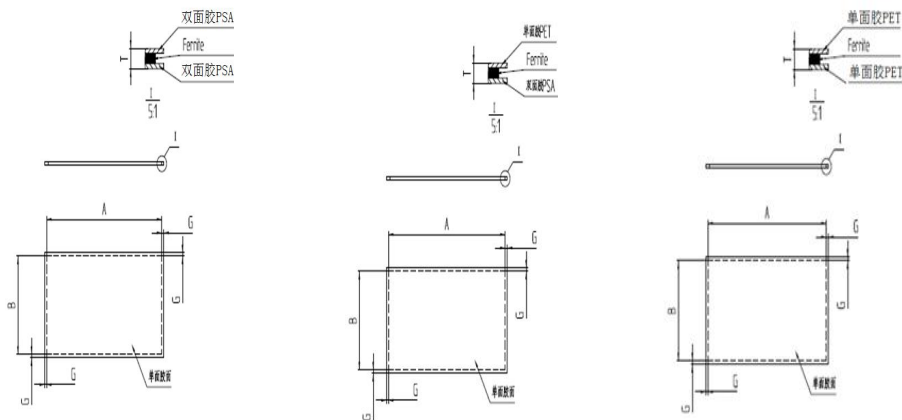


## T-Ferrite Sheets

## FS1000B -T110X75X0.1A



### CORE SETS

DESCRIPTION	DIMENSIONS						$\mu'$ @128kHz	$\mu''$ @128kHz	WEIGHT (g)
	A (mm)	B (mm)	T (mm)	G (mm)	PET ( $\mu$ m)	PSA ( $\mu$ m)			
FS1000B -T110X75X0.1A	110±3	75±3	0.12±0.015	≤3.0	10±2	10±2	1000±20%	≤20	3.8
FS1000B-T125X90X0.16A	125±3	90±3	0.21±0.025	≤3.0	20±2	30±2	1000±20%	≤20	8.3

#### Notes :

1. The type of tape can be selected according to customer's requirements;
2. PET : Single-adhesive Tape ,PSA: Adhesive Tape;
3. The thickness of the PET&PSA is only for reference.