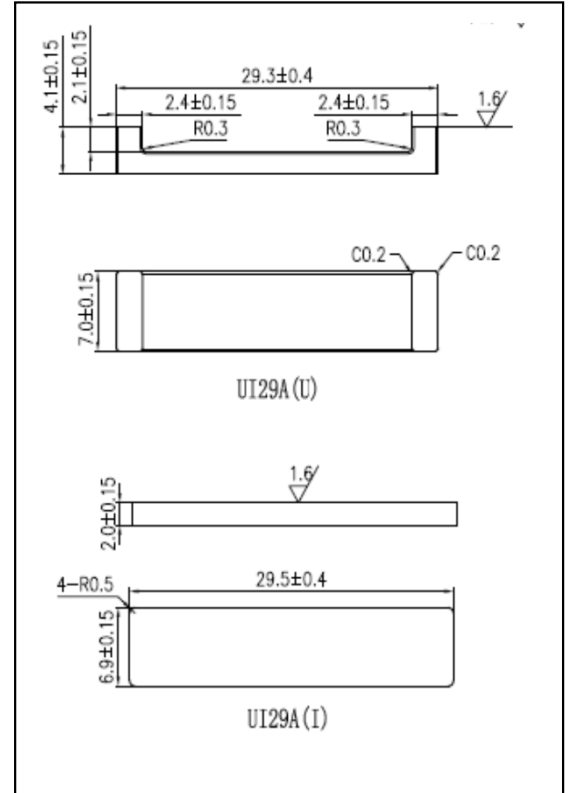


CORE SETS

Effective core parameters

| SYMBOL | PARAMETER | VALUE | UNIT |
|----------------|-----------------------|----------------|------------------|
| $\Sigma (1/A)$ | core factor (C_1) | 4.19 | mm^{-1} |
| V_e | effective volume | 856.57 | mm^3 |
| l_e | effective length | 59.90 | mm |
| A_e | effective area | 14.30 | mm^2 |
| A_{\min} | minimum area | 13.80 | mm^2 |
| W_t | mass of core set | ≈ 4.18 | g |



Characteristic

| GRADE | AL (nH/N^2) | B (mT) | CORE LOSS (W) |
|-------|--------------------------------------|--|--|
| | $f=10\text{kHz}$ $U=0.25\text{V}$ | $H=250\text{A/m}$ $f=25\text{kHz}$ $T=100^\circ\text{C}$ | $f=100\text{kHz}$ $B=200\text{mT}$ $T=100^\circ\text{C}$ |
| DMR40 | $650 \pm 25\%$ | ≥ 315 | ≤ 0.61 |
| DMR44 | $650 \pm 25\%$ | ≥ 315 | ≤ 0.48 |