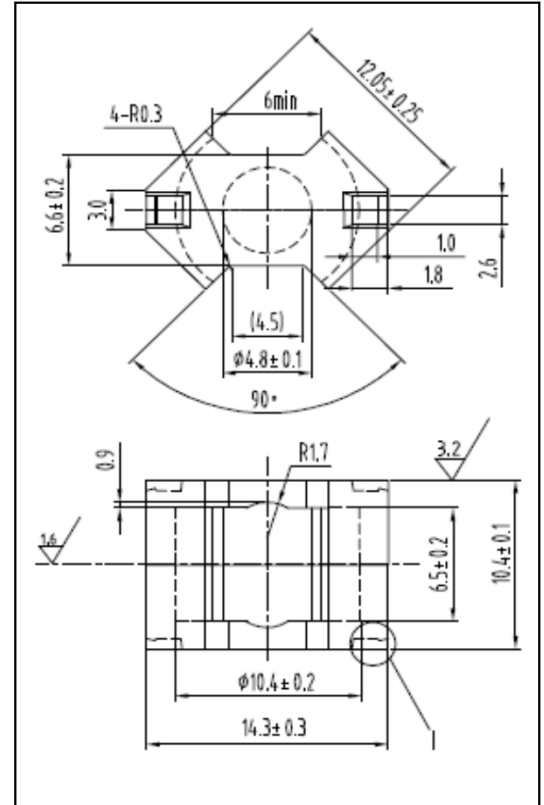


CORE SETS

Effective core parameters

SYMBOL	PARAMETER	VALUE	UNIT
$\Sigma (1/A)$	core factor (C_1)	0.93	mm^{-1}
V_e	effective volume	525.98	mm^3
l_e	effective length	22.10	mm
A_e	effective area	23.80	mm^2
A_{\min}	minimum area	18.10	mm^2
W_t	mass of core set	≈ 3.0	g



Characteristic

GRADE	AL (nH/N ²)	μ_i
	f=10kHz U=0.25V	f=10kHz U=0.25V
R5K	2700 ± 25%	≈ 5000
R7K	5250 ± 25%	≈ 7000
R10K	7000 ± 30%	≈ 10000
R12K	≥ 6500 mirror	≈ 12000