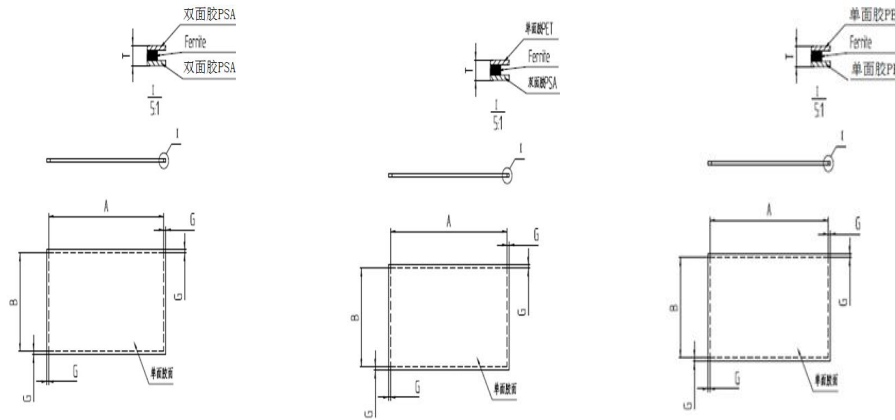


T-Ferrite Sheets

FS700-T115X115X0.12A



CORE SETS

DESCRIPTION	DIMENSIONS						μ' @128kHz	μ'' @128kHz	WEIGHT (g)
	A (mm)	B (mm)	T (mm)	G (mm)	PET (μ m)	PSA (μ m)			
FS500-T110X110X0.08A	110±3	110±3	0.10±0.010	≤3.0	10±2	10±2	450~750	≤20	4.6
FS700-T115X115X0.12A	115±3	115±3	0.14±0.015	≤3.0	10±2	10±2	600~1000	≤20	7.5

Notes :

1. The type of tape can be selected according to customer's requirements;
2. PET : Single-adhesive Tape ,PSA: Adhesive Tape;
3. The thickness of the PET&PSA is only for reference.