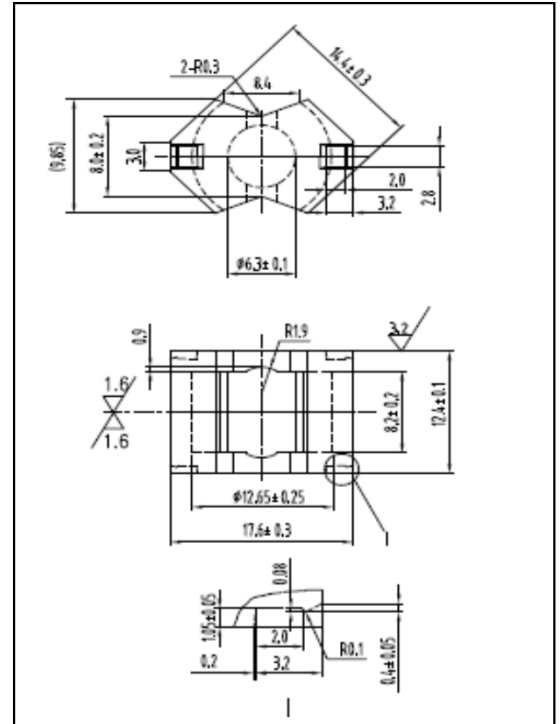


CORE SETS

Effective core parameters

SYMBOL	PARAMETER	VALUE	UNIT
$\Sigma (1/A)$	core factor (C_1)	0.78	mm^{-1}
V_e	effective volume	1046.76	mm^3
l_e	effective length	28.60	mm
A_e	effective area	36.60	mm^2
A_{\min}	minimum area	31.20	mm^2
W_t	mass of core set	≈ 5.4	g



Characteristic

GRADE	AL (nH/N ²)	B (mT)	CORE LOSS (W)
	f=10kHz U=0.25V	H=250A/m f=25kHz T=100°C	f=100kHz B=200mT T=100°C
DMR40	2400 ± 25%	≥ 315	≤ 0.76
DMR44	2400 ± 25%	≥ 315	≤ 0.65
DMR47	2500 ± 25%	≥ 325	≤ 0.57
DMR95	2900 ± 25%	≥ 315	≤ 0.63