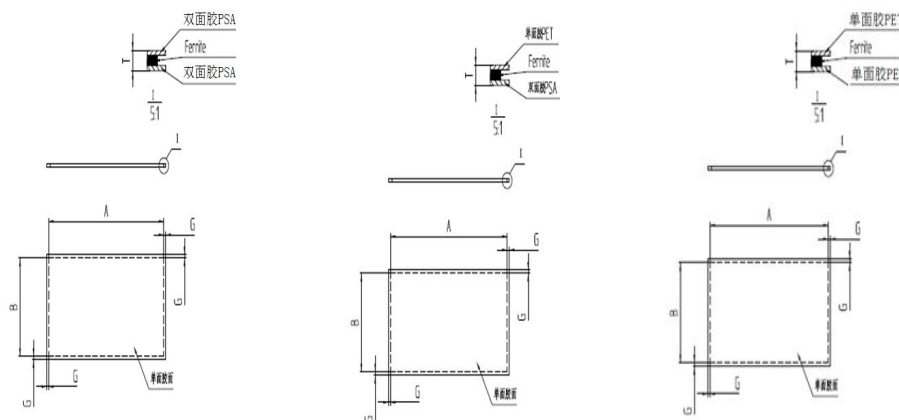


T-Ferrite Sheets

FS170-T125X115X0.1A



CORE SETS

DESCRIPTION	DIMENSIONS						μ' @13.56MHz	μ'' @13.56MHz	WEIGHT (g)
	A (mm)	B (mm)	T (mm)	G (mm)	PET (μ m)	PSA (μ m)			
FS130-T80X80X0.03A	80 ± 2	80 ± 2	0.05 ± 0.005	≤ 3.0	10 ± 2	10 ± 2	$130 \pm 20\%$	≤ 3	0.9
FS150-T125X110X0.06A	125 ± 3	110 ± 3	0.08 ± 0.008	≤ 3.0	10 ± 2	10 ± 2	$150 \pm 20\%$	≤ 4	4.1
FS170-T125X115X0.1A	125 ± 3	115 ± 3	0.12 ± 0.012	≤ 3.0	10 ± 2	10 ± 2	$170 \pm 20\%$	≤ 6	10.5
FS220-T127X77X0.2A	127 ± 3	77 ± 2	0.26 ± 0.026	≤ 3.0	30 ± 3	30 ± 3	$220 \pm 15\%$	≤ 12	10

Notes :

1. The type of tape can be selected according to customer's requirements;
2. PET : Single-adhesive Tape ,PSA: Adhesive Tape;
3. The thickness of the PET&PSA is only for reference.