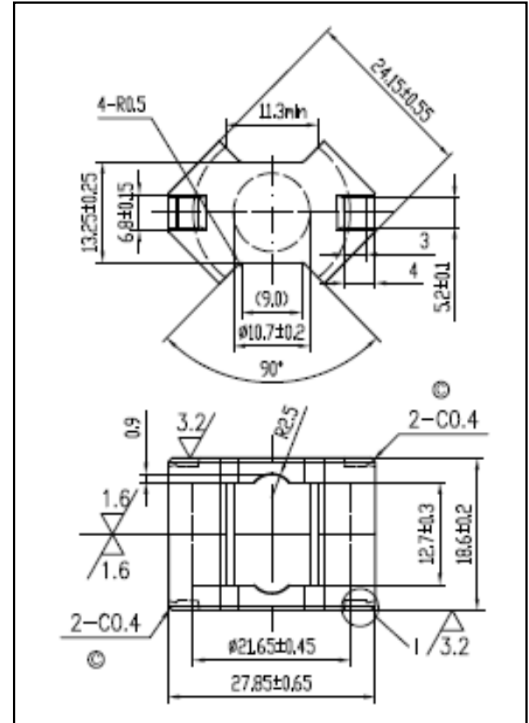


CORE SETS

Effective core parameters

SYMBOL	PARAMETER	VALUE	UNIT
$\Sigma (1/A)$	core factor (C_1)	0.45	mm^{-1}
V_e	effective volume	4312.0	mm^3
l_e	effective length	44.0	mm
A_e	effective area	98.0	mm^2
A_{\min}	minimum area	89.1	mm^2
W_t	mass of core set	≈ 23	g



Characteristic

GRADE	AL (nH/N ²)	μ_i
	f=10kHz U=0.25V	f=10kHz U=0.25V
R5K	7600 ± 25%	≈ 5000
R7K	9800 ± 25%	≈ 7000
R10K	16800 ± 25%	≈ 10000



0.45	44.00	98.00	23.0
------	-------	-------	------



