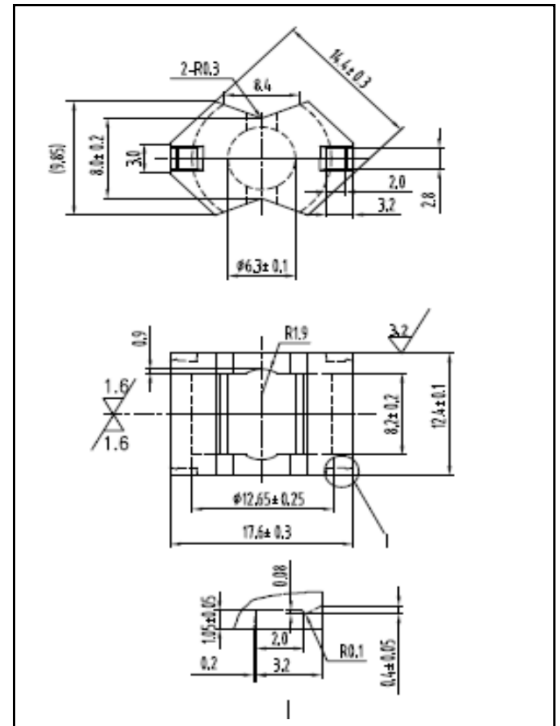


CORE SETS

Effective core parameters

SYMBOL	PARAMETER	VALUE	UNIT
$\Sigma (1/A)$	core factor (C_1)	0.78	mm^{-1}
V_e	effective volume	1046.76	mm^3
l_e	effective length	28.60	mm
A_e	effective area	36.60	mm^2
A_{\min}	minimum area	31.20	mm^2
W_t	mass of core set	≈ 5.4	g



Characteristic

GRADE	AL (nH/N^2)	μ_i
		f=10kHz U=0.25V
R5K	$5000 \pm 25\%$	≈ 5000
R7K	$6700 \pm 25\%$	≈ 7000
R10K	≥ 6700 mirror	≈ 10000