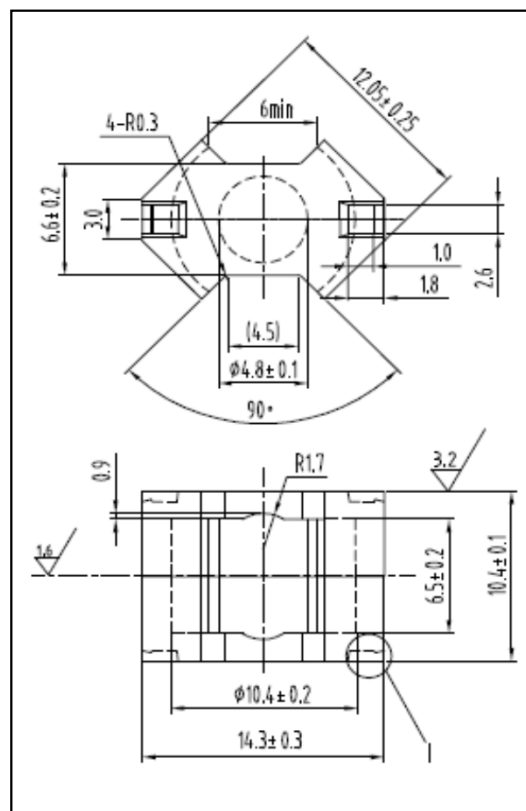


#### CORE SETS

##### Effective core parameters

SYMBOL	PARAMETER	VALUE	UNIT
$\Sigma (1/A)$	core factor ( $C_1$ )	0.93	$\text{mm}^{-1}$
$V_e$	effective volume	525.98	$\text{mm}^3$
$l_e$	effective length	22.10	mm
$A_e$	effective area	23.80	$\text{mm}^2$
$A_{\min}$	minimum area	18.10	$\text{mm}^2$
$W_t$	mass of core set	$\approx 3.0$	g



#### Characteristic

GRADE	AL (nH/N <sup>2</sup> )	B (mT)	CORE LOSS (W)
	f=10kHz U=0.25V	H=250A/m f=25kHz T=100°C	f=100kHz B=200mT T=100°C
DMR40	1800±25%	$\geq 315$	$\leq 0.42$
DMR44	1800±25%	$\geq 315$	$\leq 0.36$
DMR47	2000±25%	$\geq 325$	$\leq 0.33$
DMR95	2300±25%	$\geq 315$	$\leq 0.36$