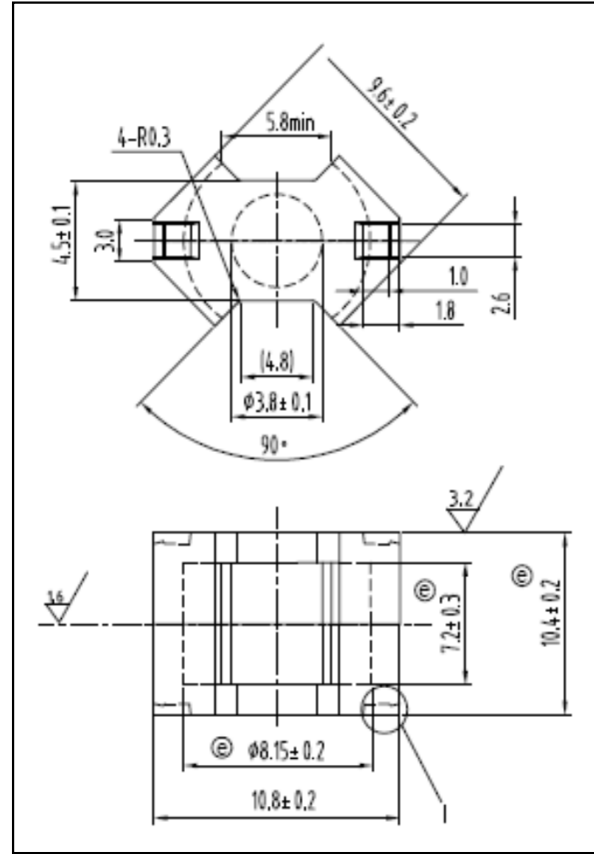


CORE SETS

Effective core parameters

SYMBOL	PARAMETER	VALUE	UNIT
$\Sigma (1/A)$	core factor (C_1)	1.70	mm^{-1}
V_e	effective volume	286.00	mm^3
l_e	effective length	22.00	mm
A_e	effective area	13.00	mm^2
A_{min}	minimum area	11.50	mm^2
W_t	mass of core set	≈ 1.7	g



Characteristic

GRADE	AL (nH/N^2)	B (mT)	CORE LOSS (W)
	$f=10\text{kHz}$ $U=0.25\text{V}$	$H=250\text{A/m}$ $f=25\text{kHz}$ $T=100^\circ\text{C}$	$f=100\text{kHz}$ $B=200\text{mT}$ $T=100^\circ\text{C}$
DMR40	$1000 \pm 25\%$	≥ 315	≤ 0.24
DMR44	$1000 \pm 25\%$	≥ 315	≤ 0.21
DMR47	$1070 \pm 25\%$	≥ 325	≤ 0.19
DMR95	$1300 \pm 25\%$	≥ 315	≤ 0.21