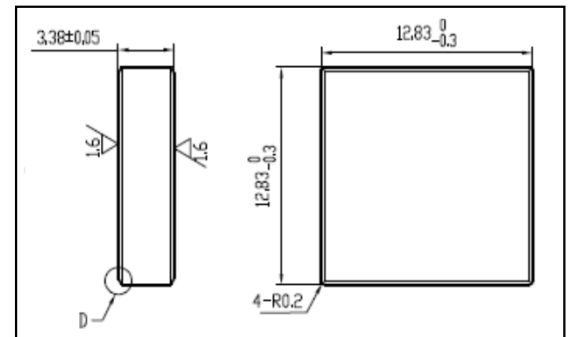
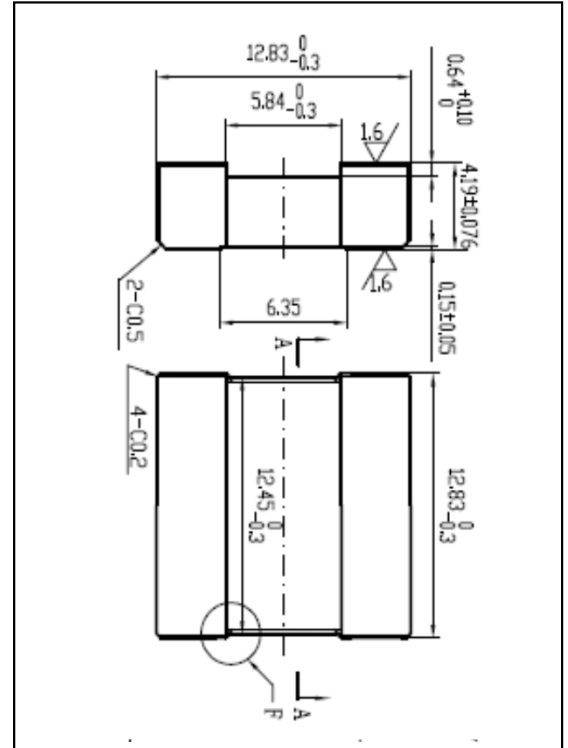


CORE SETS

Effective core parameters

SYMBOL	PARAMETER	VALUE	UNIT
$\Sigma (1/A)$	core factor (C_1)	0.54	mm^{-1}
V_e	effective volume	1033.68	mm^3
l_e	effective length	23.60	mm
A_e	effective area	43.80	mm^2
W_t	mass of core set	≈ 5.48	g



Characteristic

GRADE	AL (nH/N^2)	B (mT)	CORE LOSS (W)
	$f=10\text{kHz}$ $U=0.25\text{V}$	$H=250\text{A/m}$ $f=25\text{kHz}$ $T=100^\circ\text{C}$	$f=100\text{kHz}$ $B=200\text{mT}$ $T=100^\circ\text{C}$
DMR40	$2850 \pm 26\%$	≥ 250	≤ 0.80
DMR44	$2850 \pm 25\%$	≥ 250	≤ 0.63
DMR47	$2850 \pm 25\%$	≥ 270	≤ 0.55