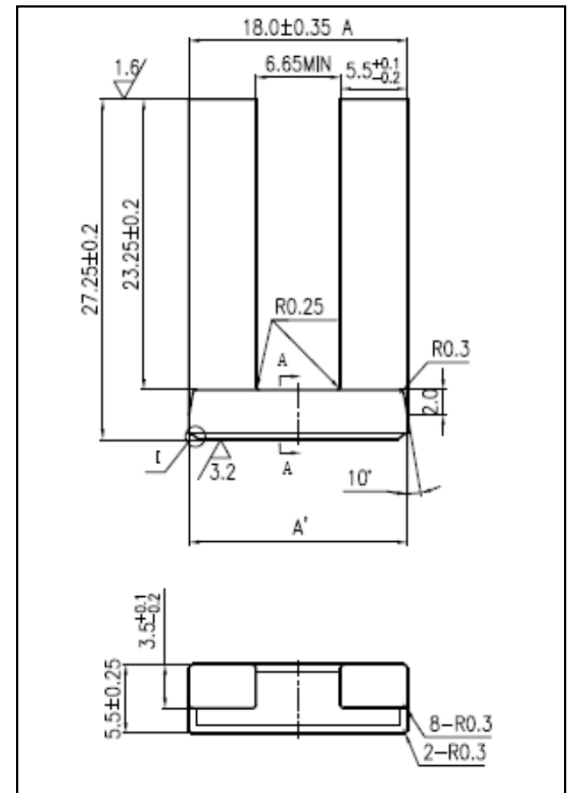


CORE SETS

Effective core parameters

SYMBOL	PARAMETER	VALUE	UNIT
$\Sigma (1/A)$	core factor ( $C_1$ )	6.22	$\text{mm}^{-1}$
$V_e$	effective volume	2413.25	$\text{mm}^3$
$l_e$	effective length	122.50	mm
$A_e$	effective area	19.70	$\text{mm}^2$
$A_{\min}$	minimum area	19.17	$\text{mm}^2$
$W_t$	mass of core set	$\approx 12.5$	g



Characteristic

GRADE	AL ( $\text{nH}/\text{N}^2$ )	B (mT)	CORE LOSS (W)
	$f=10\text{kHz}$ $U=0.25\text{V}$	$H=250\text{A}/\text{m}$ $f=25\text{kHz}$ $T=100^\circ\text{C}$	$f=100\text{kHz}$ $B=200\text{mT}$ $T=100^\circ\text{C}$
DMR40	$400 \pm 25\%$	$\geq 250$	$\leq 1.81$
DMR44	$400 \pm 25\%$	$\geq 250$	$\leq 1.44$