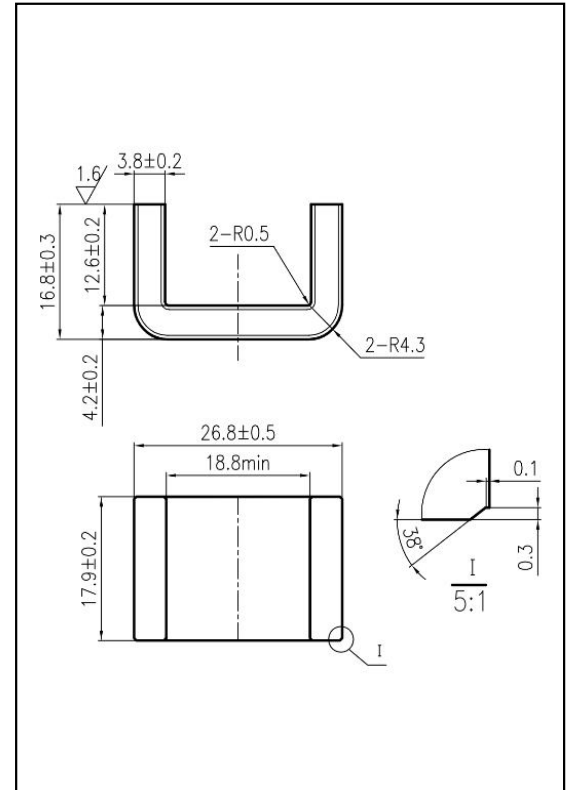


#### CORE SETS

##### Effective core parameters

SYMBOL	PARAMETER	VALUE	UNIT
$\Sigma (1/A)$	core factor ( $C_1$ )	1.42	$\text{mm}^{-1}$
$V_e$	effective volume	7160.9	$\text{mm}^3$
$l_e$	effective length	101.0	mm
$A_e$	effective area	70.9	$\text{mm}^2$
$A_{\min}$	minimum area	70.9	$\text{mm}^2$
$W_t$	mass of core set	$\approx 35.0$	g



#### Characteristic

GRADE	$AL (\text{nH}/\text{N}^2)$	$\mu_i$
	$f=10\text{kHz}$ $U=0.25\text{V}$	$f=10\text{kHz}$ $U=0.25\text{V}$
DMR71	$2470 \pm 25\%$	$\approx 3800$