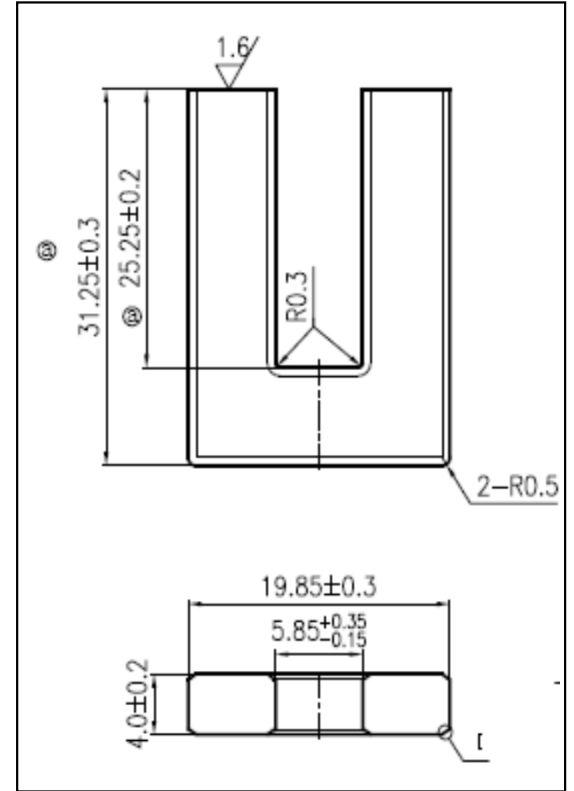


CORE SETS

Effective core parameters

SYMBOL	PARAMETER	VALUE	UNIT
$\Sigma (1/A)$	core factor (C_1)	4.89	mm^{-1}
Ve	effective volume	3617.60	mm^3
le	effective length	133.00	mm
Ae	effective area	27.20	mm^2
Amin	minimum area	20.00	mm^2
Wt	mass of core set	≈ 21.0	g



Characteristic

GRADE	AL (nH/N^2)	B (mT)	CORE LOSS (W)
	f=10kHz U=0.25V	H=250A/m f=25kHz T=100°C	f=100kHz B=200mT T=100°C
DMR40	$650 \pm 25\%$	≥ 315	≤ 5.08