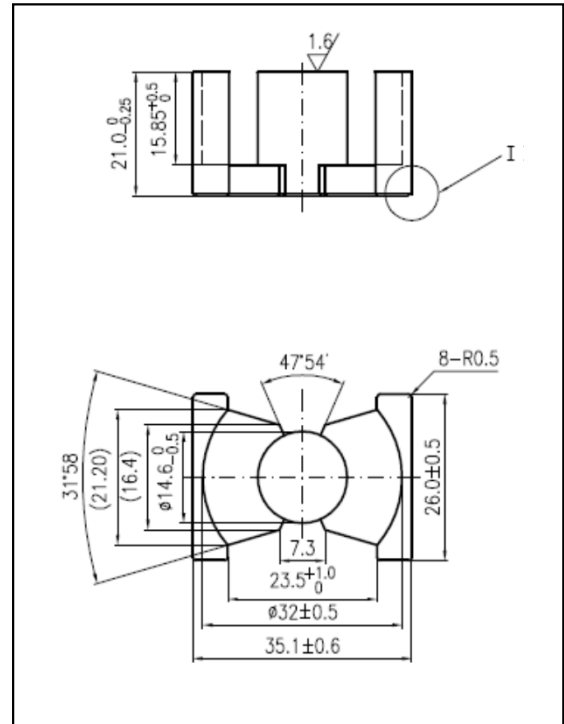


#### CORE SETS

##### Effective core parameters

SYMBOL	PARAMETER	VALUE	UNIT
$\Sigma (1/A)$	core factor ( $C_1$ )	0.55	$\text{mm}^{-1}$
$V_e$	effective volume	16087.6	$\text{mm}^3$
$l_e$	effective length	94.3	mm
$A_e$	effective area	170.6	$\text{mm}^2$
$A_{\min}$	minimum area	164.7	$\text{mm}^2$
$W_t$	mass of core set	$\approx 75.0$	g



#### Characteristic

GRADE	AL ( $\text{nH/N}^2$ )	B (mT)	CORE LOSS (W)
	f=10kHz U=0.25V	H=250A/m f=25kHz T=100°C	f=100kHz B=200mT T=100°C
DMR40	$4000 \pm 25\%$	$\geq 315$	$\leq 10.05$
DMR44	$4000 \pm 25\%$	$\geq 315$	$\leq 9.00$
DMR47	$4200 \pm 25\%$	$\geq 325$	$\leq 7.13$
DMR95	$5000 \pm 25\%$	$\geq 315$	$\leq 7.58$