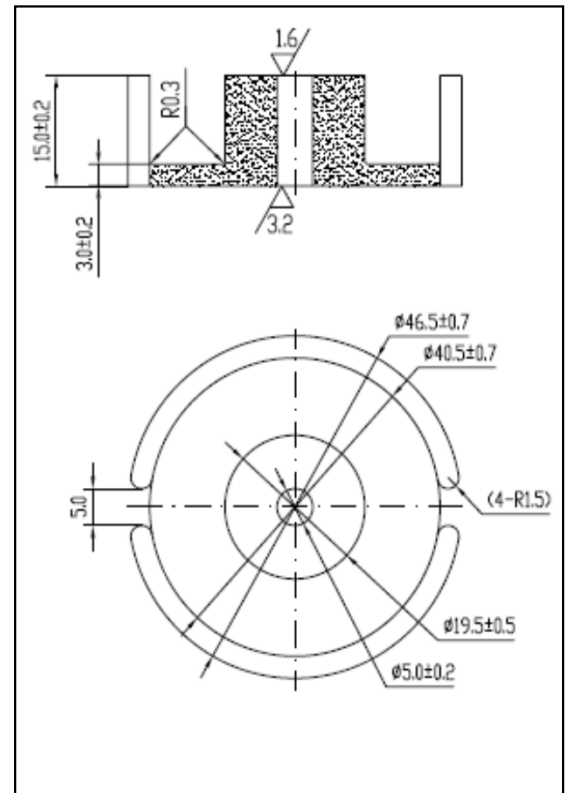


### P cores

#### CORE SETS

##### Effective core parameters

SYMBOL	PARAMETER	VALUE	UNIT
$\Sigma (1/A)$	core factor ( $C_1$ )	0.28	$\text{mm}^{-1}$
$V_e$	effective volume	21974.2	$\text{mm}^3$
$l_e$	effective length	78.2	mm
$A_e$	effective area	281.0	$\text{mm}^2$
$A_{\min}$	minimum area	279.0	$\text{mm}^2$
$W_t$	mass of core set	$\approx 117.0$	g



#### Characteristic

GRADE	AL (nH/N <sup>2</sup> )	$\mu_i$
	f=10kHz U=0.25V	
DMR70	9000 ± 25%	$\approx 2300$