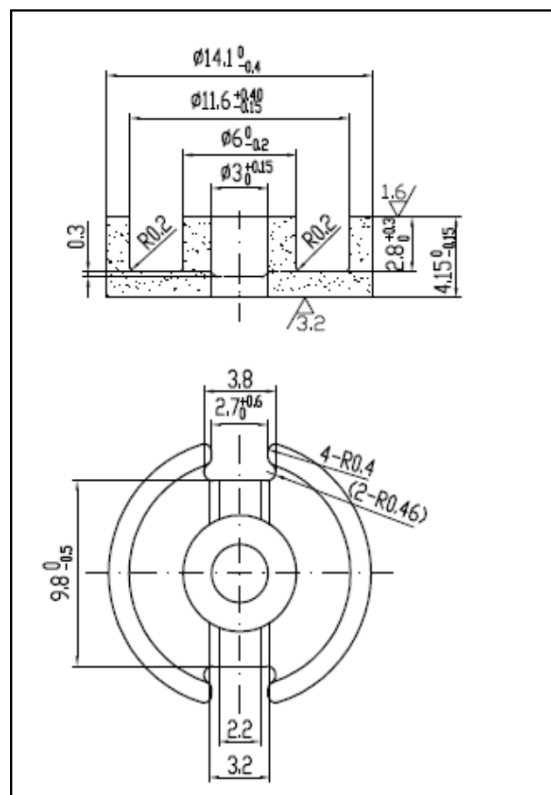


CORE SETS

Effective core parameters

SYMBOL	PARAMETER	VALUE	UNIT
$\Sigma (1/A)$	core factor ( $C_1$ )	0.90	$\text{mm}^{-1}$
Ve	effective volume	475.86	$\text{mm}^3$
le	effective length	20.60	mm
Ae	effective area	23.10	$\text{mm}^2$
Amin	minimum area	19.91	$\text{mm}^2$
Wt	mass of core set	$\approx 3.5$	g



Characteristic

GRADE	AL (nH/N <sup>2</sup> )	B (mT)	CORE LOSS (W)
	f=10kHz U=0.25V	H=250A/m f=25kHz T=100°C	f=100kHz B=200mT T=100°C
DMR40	1800 ± 25%	≥ 250	≤ 0.49
DMR44	1800 ± 25%	≥ 250	≤ 0.39
DMR95	2000 ± 25%	≥ 270	≤ 0.37