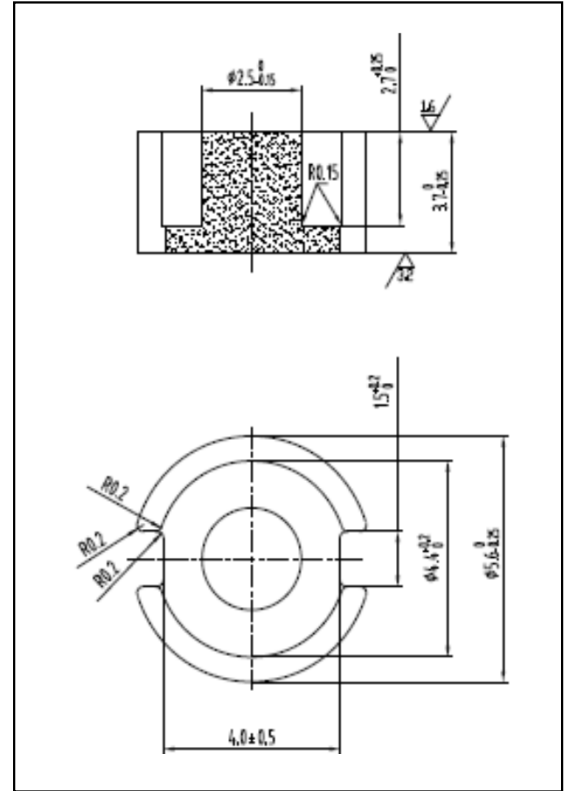


CORE SETS

Effective core parameters

| SYMBOL | PARAMETER | VALUE | UNIT |
|----------------|-----------------------|----------------|------------------|
| $\Sigma (1/A)$ | core factor (C_1) | 3.54 | mm^{-1} |
| V_e | effective volume | 46.44 | mm^3 |
| l_e | effective length | 12.90 | mm |
| A_e | effective area | 3.60 | mm^2 |
| A_{\min} | minimum area | 2.40 | mm^2 |
| W_t | mass of core set | ≈ 0.32 | g |



Characteristic

| GRADE | AL (nH/N ²) | B (mT) | CORE LOSS (W) |
|-------|-------------------------|--------------------------------|--------------------------------|
| | f=10kHz U=0.25V | H=250A/m f=25kHz T=100°C | f=100kHz B=200mT T=100°C |
| DMR40 | 550 ± 25% | ≥ 250 | ≤ 0.083 |