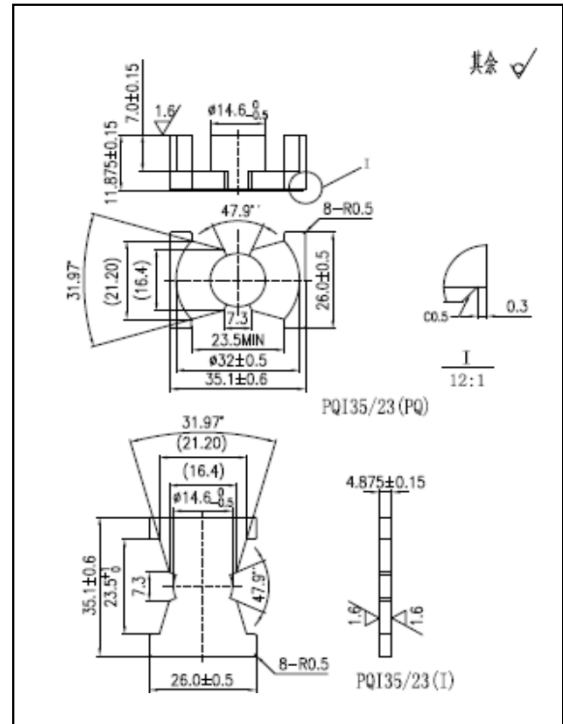


CORE SETS

Effective core parameters

SYMBOL	PARAMETER	VALUE	UNIT
$\Sigma (1/A)$	core factor (C_1)	0.24	mm^{-1}
V_e	effective volume	8020.53	mm^3
l_e	effective length	43.90	mm
A_e	effective area	182.70	mm^2
A_{\min}	minimum area	161.73	mm^2
W_t	mass of core set	≈ 49.0	g



Characteristic

GRADE	AL (nH/N ²)	B (mT)	CORE LOSS (W)
	f=10kHz U=0.25V	H=250A/m f=25kHz T=100°C	f=100kHz B=200mT T=100°C
DMR95	8400 ± 25%	≥ 315	≤ 4.58