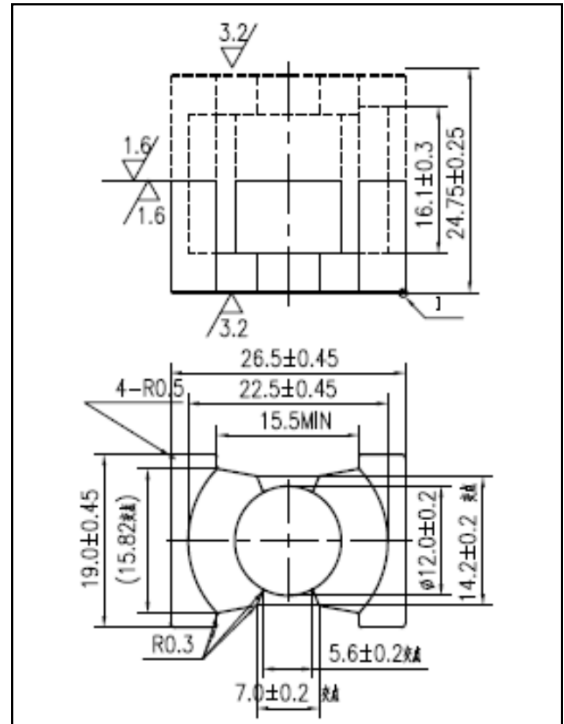


#### CORE SETS

##### Effective core parameters

SYMBOL	PARAMETER	VALUE	UNIT
$\Sigma (1/A)$	core factor ( $C_1$ )	0.47	$\text{mm}^{-1}$
$V_e$	effective volume	6549.0	$\text{mm}^3$
$l_e$	effective length	55.5	mm
$A_e$	effective area	118.0	$\text{mm}^2$
$A_{\text{min}}$	minimum area	108.0	$\text{mm}^2$
$W_t$	mass of core set	$\approx 36.0$	g



#### Characteristic

GRADE	AL (nH/N <sup>2</sup> )	B (mT)	CORE LOSS (W)
	f=10kHz U=0.25V	H=250A/m f=25kHz T=100°C	f=100kHz B=200mT T=100°C
DMR40	4800±25%	≥315	≤5.04
DMR44	4800±25%	≥315	≤4.32
DMR47	5200±25%	≥325	≤3.42
DMR95	5600±26%	≥315	≤3.80