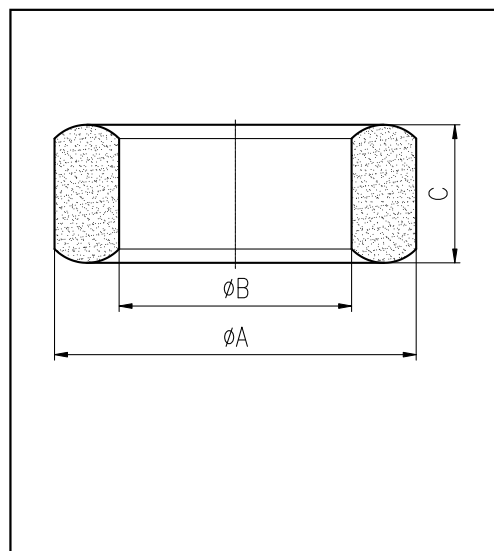


H cores

CORE SETS

Effective core parameters

| SYMBOL | PARAMETER | VALUE | UNIT |
|----------------|-----------------------|---------------|------------------|
| $\Sigma (1/A)$ | core factor (C_1) | 3.28 | mm^{-1} |
| V_e | effective volume | 176.89 | mm^3 |
| l_e | effective length | 24.10 | mm |
| A_e | effective area | 7.34 | mm^2 |
| W_t | mass of core | ≈ 1.0 | g |



| 尺寸 | A | B | C |
|--------|----------------|---------------|---------------|
| Coat | | | |
| Uncoat | 10.0 ± 0.3 | 6.0 ± 0.3 | 4.0 ± 0.3 |
| Coated | 10.8max | 5.3min | 4.7max |

Note: With grass green epoxy coating

Characteristic

| GRADE | AL (nH/N^2) | B (mT) | CORE LOSS (W) |
|-------|-------------------------------|--------------------------------------|--|
| | | $f=10\text{kHz}$ $U=0.25\text{V}$ | $H=250\text{A/m}$ $f=25\text{kHz}$ $T=100^\circ\text{C}$ |
| DMR40 | $940 \pm 25\%$ | ≥ 315 | ≤ 0.14 |