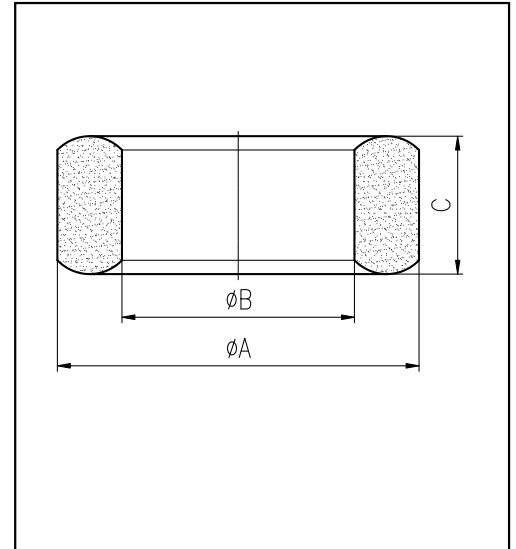


### H cores

#### CORE SETS

##### Effective core parameters

SYMBOL	PARAMETER	VALUE	UNIT
$\Sigma (1/A)$	core factor ( $C_1$ )	2.06	$\text{mm}^{-1}$
$V_e$	effective volume	719.95	$\text{mm}^3$
$l_e$	effective length	38.50	mm
$A_e$	effective area	18.70	$\text{mm}^2$
$W_t$	mass of core	$\approx 4.0$	g



尺寸	A	B	C
Coat			
Uncoat	$16.0 \pm 0.3$	$9.6 \pm 0.3$	$6.3 \pm 0.2$
Coated	16.8max	8.9min	7.0max

Note: With grass green epoxy coating

#### Characteristic

GRADE	AL (nH/N <sup>2</sup> )	B (mT)	CORE LOSS (W)
	f=10kHz U=0.25V	H=250A/m f=25kHz T=100°C	f=100kHz B=200mT T=100°C
DMR40	$1350 \pm 25\%$	$\geq 315$	$\leq 0.45$
DMR44	$1450 \pm 25\%$	$\geq 315$	$\leq 0.42$