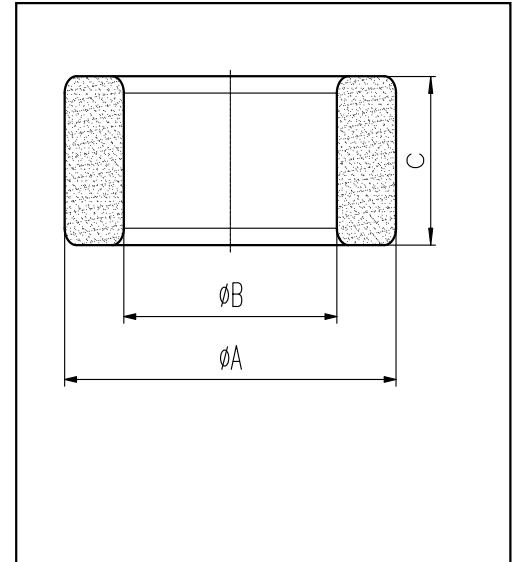


H cores

CORE SETS

Effective core parameters

SYMBOL	PARAMETER	VALUE	UNIT
$\Sigma (1/A)$	core factor (C_1)	2.30	mm^{-1}
Ve	effective volume	873.60	mm^3
le	effective length	44.80	mm
Ae	effective area	19.50	mm^2
Wt	mass of core	≈ 4.6	g



尺寸	A	B	C
Coat			
Uncoat	19.0 ± 0.5	11.0 ± 0.3	5.0 ± 0.4
Coated	19.8max	10.3min	5.7max

Note: With grass green epoxy coating

Characteristic

GRADE	AL (nH/N^2)	B (mT)	CORE LOSS (W)
	f=10kHz U=0.25V	H=250A/m f=25kHz T=100°C	f=100kHz B=200mT T=100°C
DMR40	$1256 \pm 25\%$	≥ 315	≤ 0.60
DMR44	$1256 \pm 25\%$	≥ 315	≤ 0.48