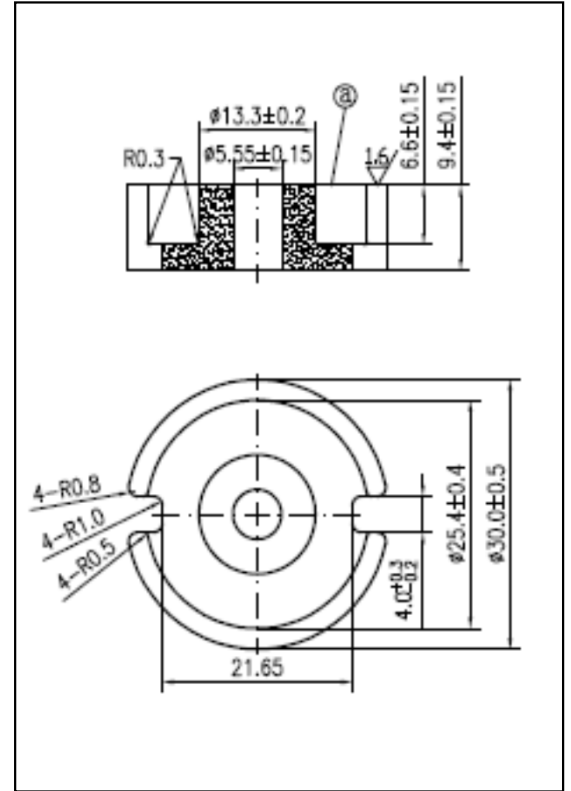


P cores

CORE SETS

Effective core parameters

SYMBOL	PARAMETER	VALUE	UNIT
$\Sigma (1/A)$	core factor (C_1)	0.35	mm^{-1}
V_e	effective volume	6104.70	mm^3
l_e	effective length	45.90	mm
A_e	effective area	133.00	mm^2
A_{\min}	minimum area	114.74	mm^2
W_t	mass of core set	≈ 37	g



Characteristic

GRADE	AL (nH/N^2)	B (mT)	CORE LOSS (W)
	f=10kHz U=0.25V	H=250A/m f=25kHz T=100°C	f=100kHz B=200mT T=100°C
DMR40	$5600 \pm 25\%$	≥ 315	≤ 2.86
DMR44	$5600 \pm 25\%$	≥ 315	≤ 2.31