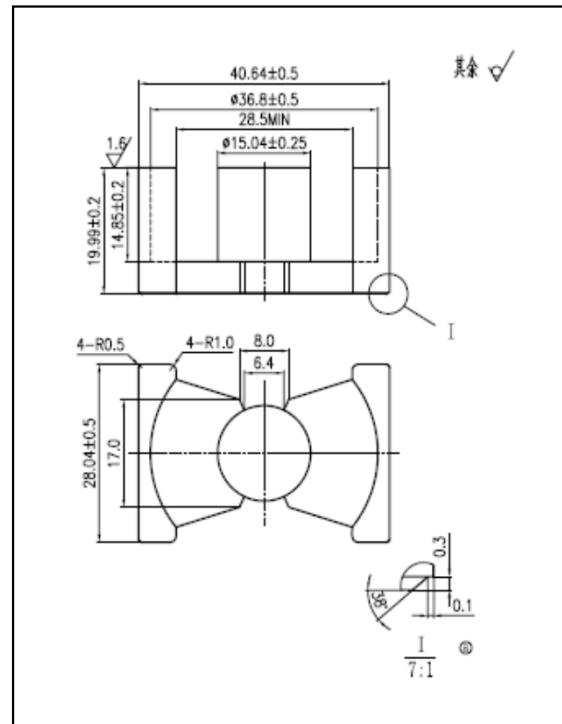


#### CORE SETS

##### Effective core parameters

SYMBOL	PARAMETER	VALUE	UNIT
$\Sigma (1/A)$	core factor ( $C_1$ )	0.45	$\text{mm}^{-1}$
$V_e$	effective volume	19698.0	$\text{mm}^3$
$l_e$	effective length	93.8	mm
$A_e$	effective area	210.0	$\text{mm}^2$
$A_{\min}$	minimum area	177.7	$\text{mm}^2$
$W_t$	mass of core set	$\approx 100$	g



#### Characteristic

GRADE	AL ( $\text{nH/N}^2$ )	B (mT)	CORE LOSS (W)
	f=10kHz U=0.25V	H=250A/m f=25kHz T=100°C	f=100kHz B=200mT T=100°C
DMR40	$4500 \pm 25\%$	$\geq 315$	$\leq 14.0$
DMR44	$4500 \pm 25\%$	$\geq 315$	$\leq 12.0$
DMR47	$4700 \pm 25\%$	$\geq 325$	$\leq 9.85$
DMR95	$6000 \pm 25\%$	$\geq 315$	$\leq 10.83$