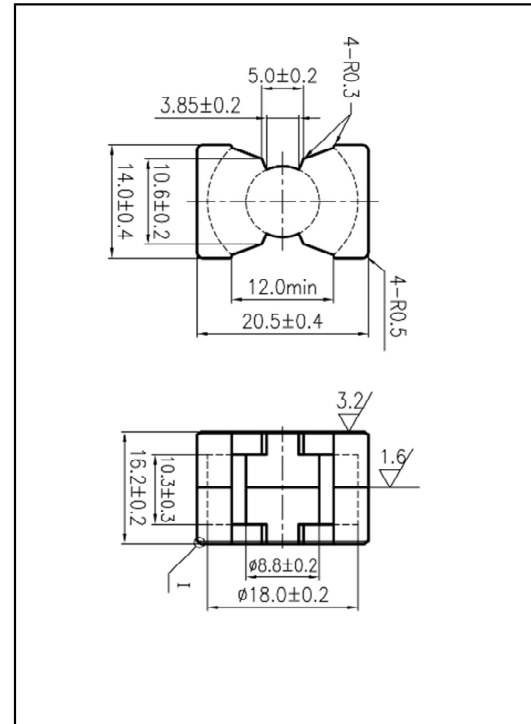


CORE SETS

Effective core parameters

SYMBOL	PARAMETER	VALUE	UNIT
$\Sigma (1/A)$	core factor (C_1)	0.61	mm^{-1}
V_e	effective volume	2318.80	mm^3
l_e	effective length	37.40	mm
A_e	effective area	62.00	mm^2
A_{\min}	minimum area	59.10	mm^2
W_t	mass of core set	≈ 13	g



Characteristic

GRADE	AL (nH/N ²)	B (mT)	CORE LOSS (W)
	f=10kHz U=0.25V	H=250A/m f=25kHz T=100°C	f=100kHz B=200mT T=100°C
DMR40	3500 ± 25%	≥ 315	≤ 1.82
DMR44	3500 ± 25%	≥ 315	≤ 1.56
DMR95	4300 ± 25%	≥ 315	≤ 1.43