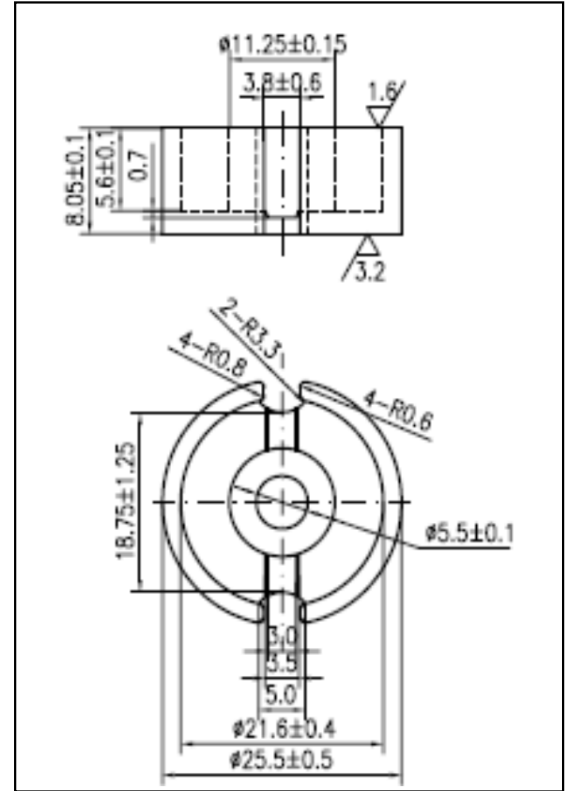


P cores

CORE SETS

Effective core parameters

SYMBOL	PARAMETER	VALUE	UNIT
$\Sigma (1/A)$	core factor (C_1)	0.42	mm^{-1}
V_e	effective volume	3530.45	mm^3
l_e	effective length	38.50	mm
A_e	effective area	91.70	mm^2
A_{\min}	minimum area	75.65	mm^2
W_t	mass of core set	≈ 22.0	g



Characteristic

GRADE	AL (nH/N ²)	μ_i
	f=10kHz U=0.25V	
R5K	$11000 \pm 25\%$	≈ 5000